

Quicke

NEW

The new range of Bale Forks

A wide selection from S to XL



THE NEW BALE FORKS

Covering the bale fork needs from yard loader users to professional contractors



FROM S TO XL!

Our wide selection of bale handling equipment simplifies your work and makes you more productive!

We offer a number of different Implements for handling bales in different ways. No matter your preconditions or desires, we have the right tool for you.



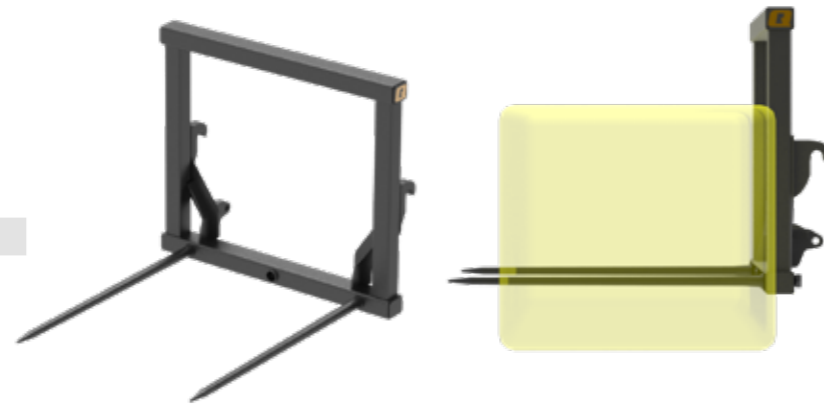
Bale Fork S+ 115

BALE FORK IDEAL FOR LIGHTER MATERIAL HANDLERS

- Simple and robust.
- Well suited for yard loaders and smaller front end loaders.
- Chose up to three Q-tines in different lengths.

BALE FORK S+ 115	115
Width, cm	115
Height, cm	100
Max. load capacity, kg	1000
No. of tines, Cone 2	Up to 3
Weight*, kg	98,5

Available tine sets:
 Tine set 2 pieces: 82 cm / 124 cm
 Tine set 3 pieces: 82 cm / 124 cm
 * Weight without tines



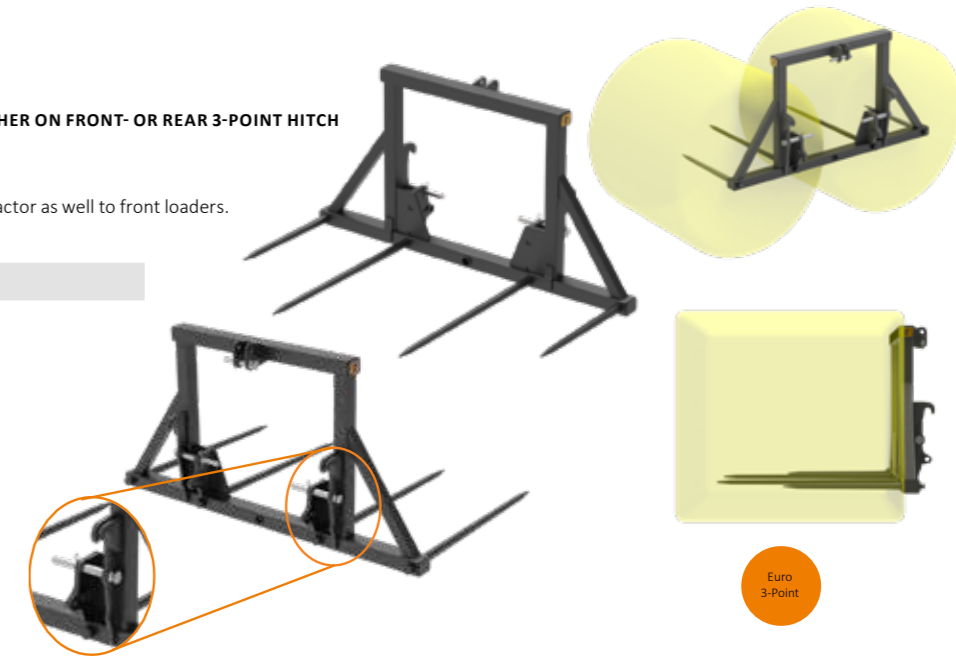
Bale Fork L 200

BALE FORK WITH HIGH CAPACITY IDEAL TO MOUNT EITHER ON FRONT- OR REAR 3-POINT HITCH

- Robust wide frame.
- Can be used for both round and square bales.
- Allows mounting to the tractors front and rear hitch of tractor as well to front loaders.

BALE FORK L 200	200
Width, cm	200
Height, cm	102
Max. load capacity, kg	2500
No. of tines, Cone 2	Up to 5
Weight*, kg	170

Available tine sets:
 Tine set 2 pieces: 82 cm / 124 cm
 Tine set 3 pieces: 82 cm / 124 cm
 Tine set 4 pieces: 82 cm / 124 cm
 Tine set 5 pieces: 82 cm / 124 cm
 * Weight without tines



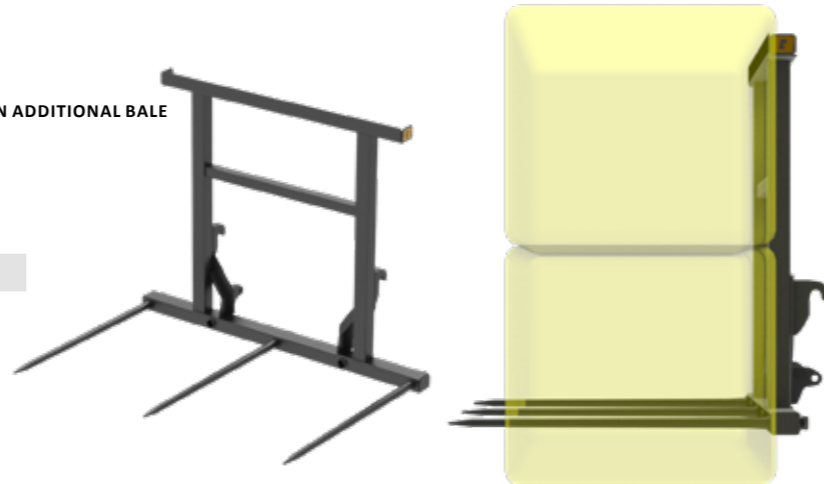
Bale Fork M 180

BALE FORK WITH HIGHER CAPACITY AND WITH SUPPORT TO STACK AN ADDITIONAL BALE

- Wide frame with up to five Q-tines.
- High back frame provides stability for second bale.
- Welded Euro hooks makes it perfect for front loaders.

BALE FORK M 180	180
Width, cm	180
Height, cm	140
Max. load capacity, kg	2000
No. of tines, Cone 2	Up to 5
Weight*, kg	135

Available tine sets:
 Tine set 2 pieces: 82 cm / 124 cm
 Tine set 3 pieces: 82 cm / 124 cm
 Tine set 4 pieces: 82 cm / 124 cm
 Tine set 5 pieces: 82 cm / 124 cm
 * Weight without tines



Bale Fork L+ 150 (fixed tines)

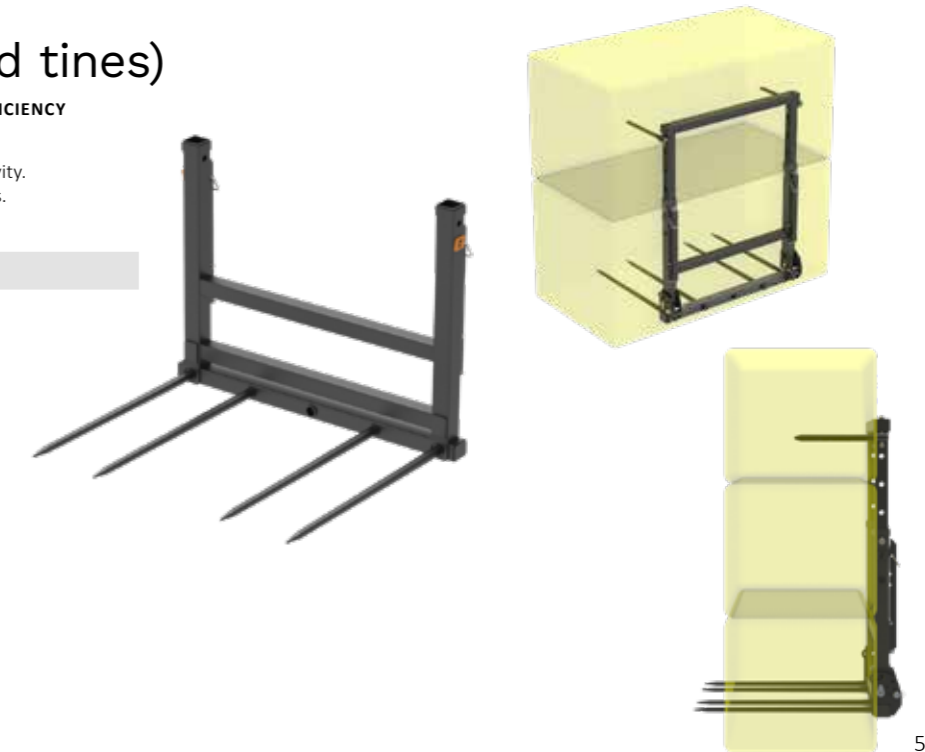
BALE FORK FOR THE FARMER WITH HIGH DEMAND ON EFFICIENCY

- High capacity Bale fork with fixed tines.
- Available with accessories to further increase your productivity.
- Ideal for large front loaders, Telehandlers and Wheel loaders.

BALE FORK L+ 150 (FIXED TINES)	150
Width, cm	152,5
Height, cm	116,5 – 184
Max. load capacity, kg	2000
No. of tines, Cone 2	Up to 5
Weight*, kg	98,5

Available tine sets:
 Tine set 2 pieces: 82 cm / 124 cm
 Tine set 3 pieces: 82 cm / 124 cm
 Tine set 4 pieces: 82 cm / 124 cm
 Tine set 5 pieces: 82 cm / 124 cm
 * Weight without tines

Available accessories:
 Telescopic extensions
 Top beam



Bale Fork L+ 150 (folded tines)

BALE FORK FOR THE FARMER WITH HIGH DEMAND ON EFFICIENCY

- High capacity Bale fork with foldable tines.
- Available with accessories to further increase your productivity.
- Ideal for large front loaders, Telehandlers and Wheel loaders.

BALE FORK L+ 150 (FOLDED TINES) 150

Width, cm	152,5
Height, cm	116,5 – 184
Max. load capacity, kg	2000
No. of tines, Cone 2	Up to 5
Weight*, kg	122

Available tine sets:
 Tine set 2 pieces: 82 cm / 124 cm
 Tine set 3 pieces: 82 cm / 124 cm
 Tine set 4 pieces: 82 cm / 124 cm
 Tine set 5 pieces: 82 cm / 124 cm

Available accessories:
 Telescopic extensions
 Top beam
 Hydraulic control of foldable tines

* Weight without tines



Bale Fork XL+ 200 has three settings:
 1. Transport, tines locked in parallel with back frame.
 2. Free floating within slotted hole.
 3. Parking, tines locked 90° towards back frame.

Bale Fork XL+ 200

FOR TRUE PROFESSIONAL USERS PROVIDING HIGHEST BALE CARRYING CAPACITY

- The professionals choice with highest capacity.
- Available with many accessories to further increase your productivity.
- Perfect for Telehandlers and Wheel loaders.

BALE FORK XL+ 200 200

Width, cm	200
Height, cm	175 – 295
Max. load capacity, kg	2500
No. of tines, Konus 2	Up to 5
Weight*, kg	157

Available tine sets:
 Tine set 2 pieces: 82 cm / 124 cm
 Tine set 3 pieces: 82 cm / 124 cm
 Tine set 4 pieces: 82 cm / 124 cm
 Tine set 5 pieces: 82 cm / 124 cm

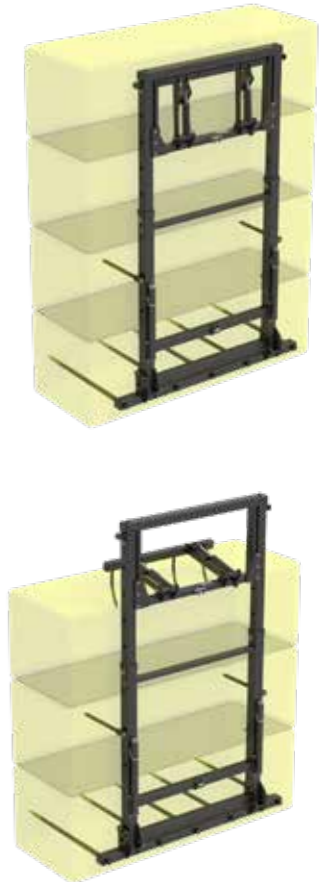
Available accessories:
 Telescopic extensions
 Top beam
 Hydraulic control of foldable tines
 Supporting tines to main frame
 Top grab

* Weight without tines



Top grab has large working angle increasing its use. Since Top grab tines are curved they secure the stack of bales also when coming from the back. Thanks to the integrated design it works perfect also inside the bale shed.

Top grab secures the stack of bales by pressing the upper bale downwards. This feature allows more safe and faster transport on the field to increase productivity. Top grab can be adjusted in height depending on requested bale stack height and can be used to both penetrate bale from above or from the back.



Quicke



Ålö AB

Member of JOST World

Brännland 300, SE-901 37 Umeå, Sweden

Tel: +46 (0)90 17 05 00

www.quicke.nu